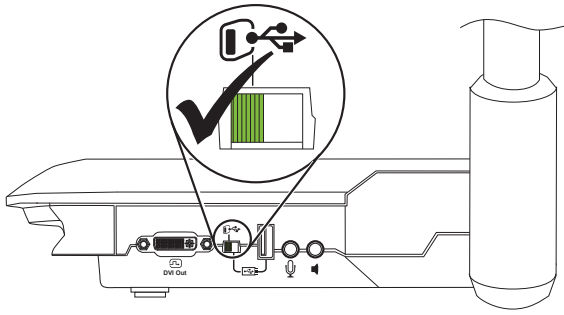
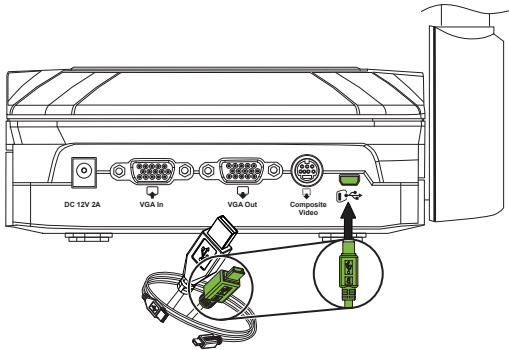


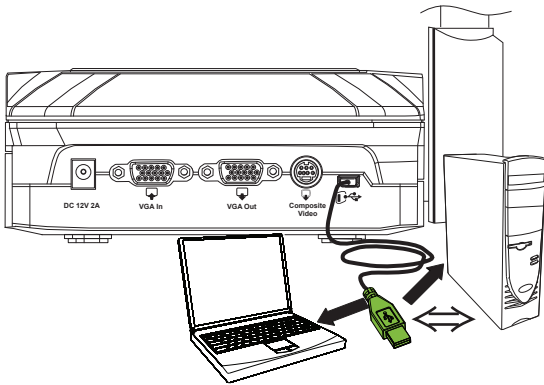
3



A

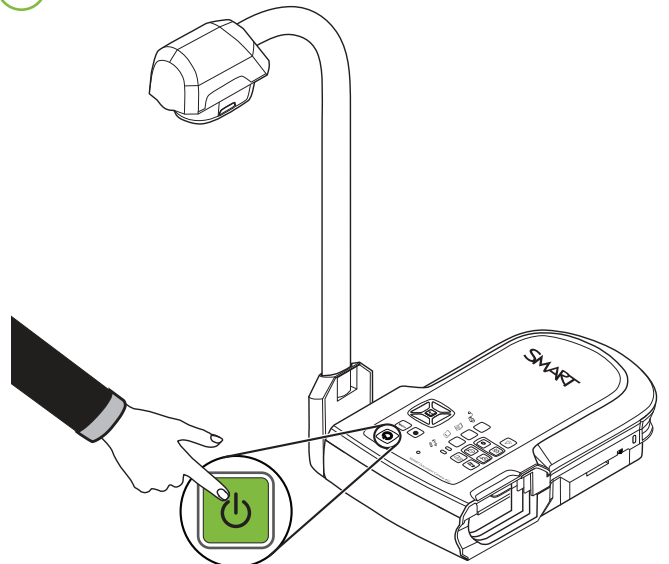


B

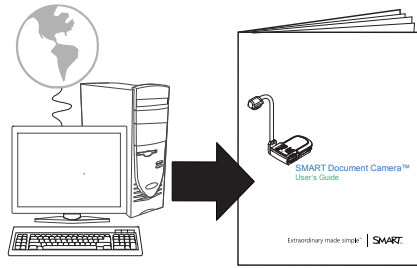


C

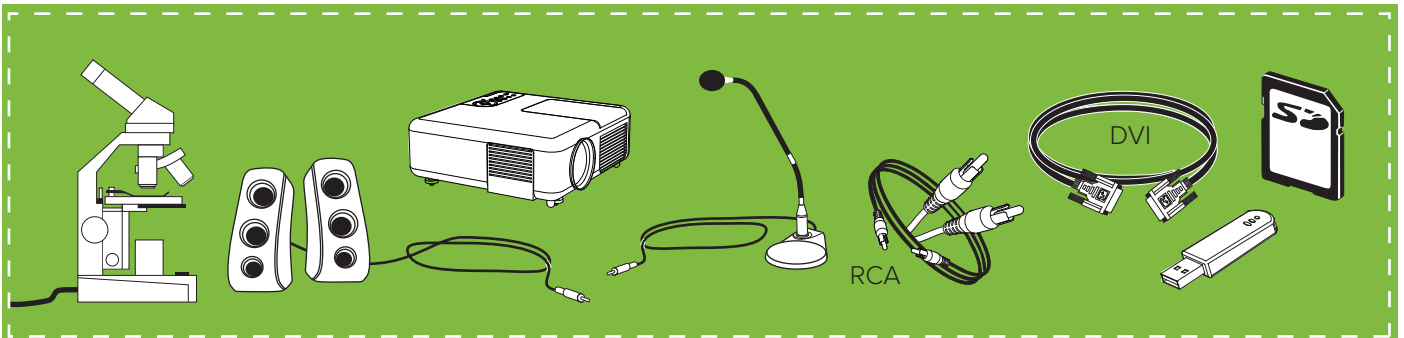
4

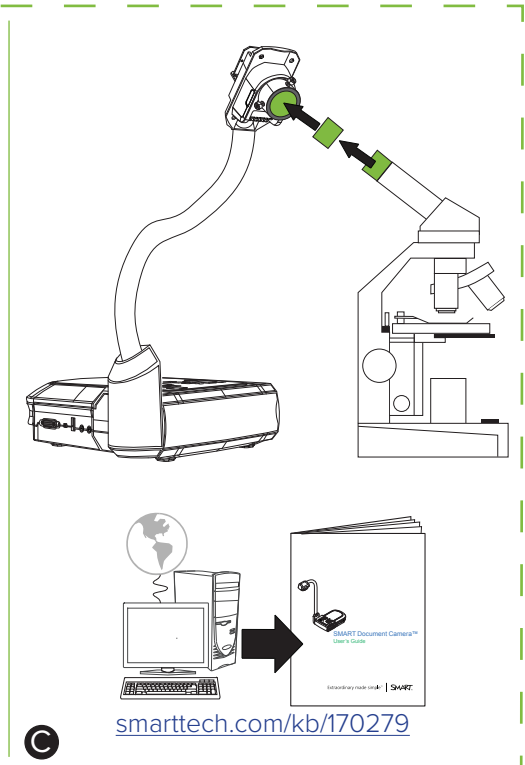
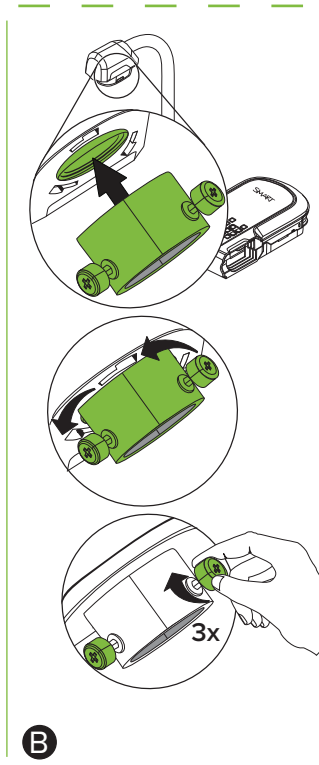
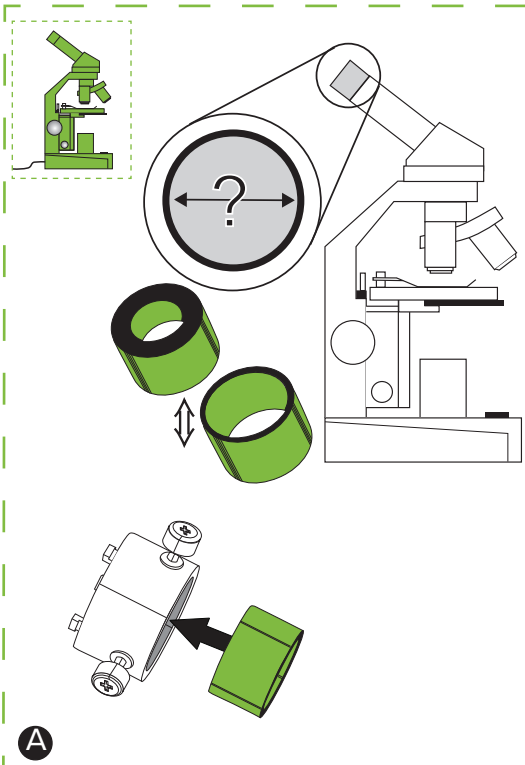
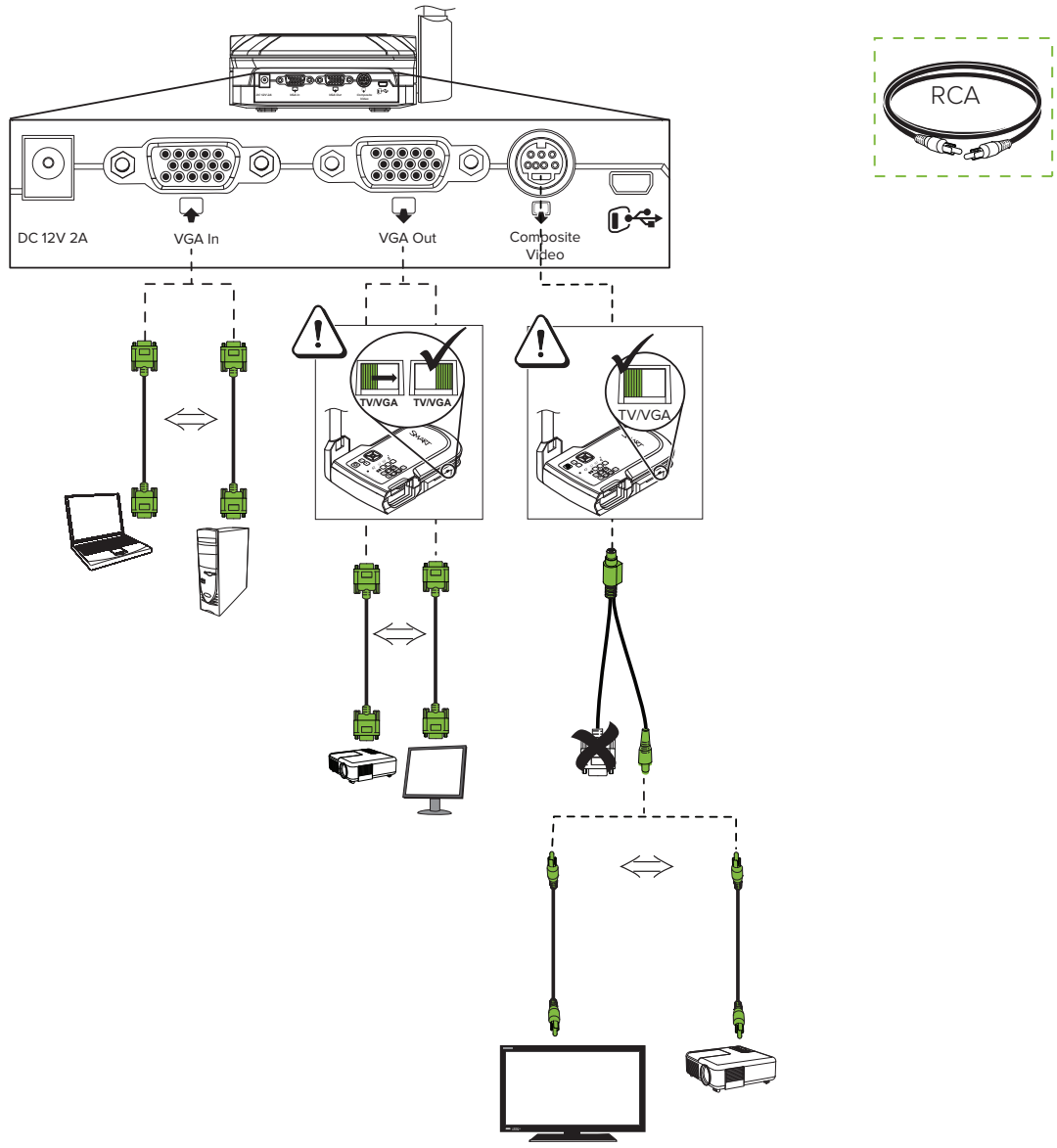


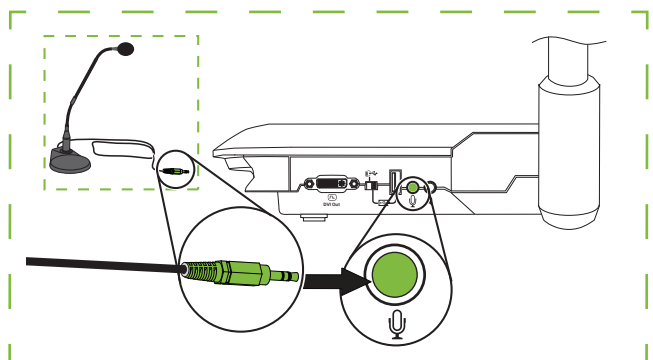
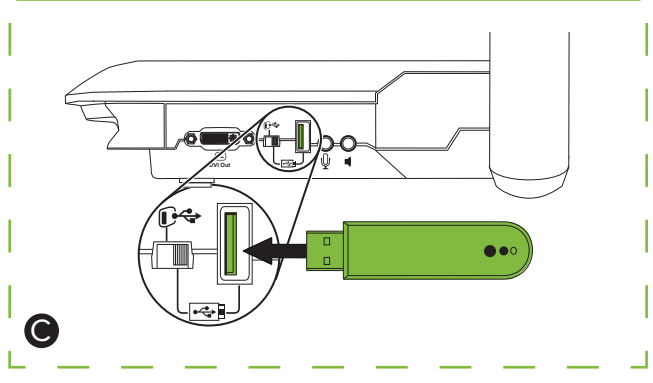
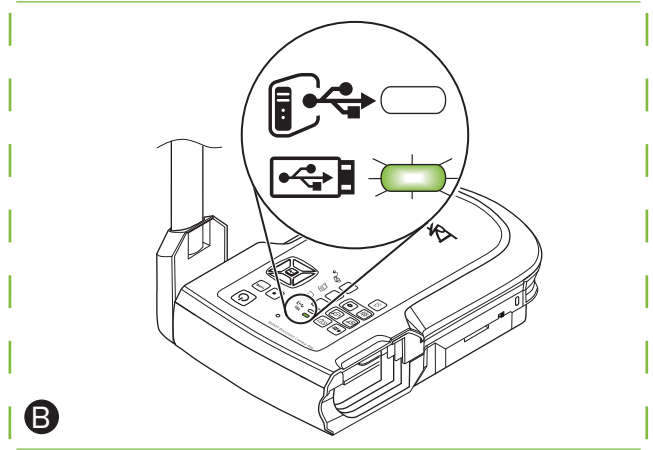
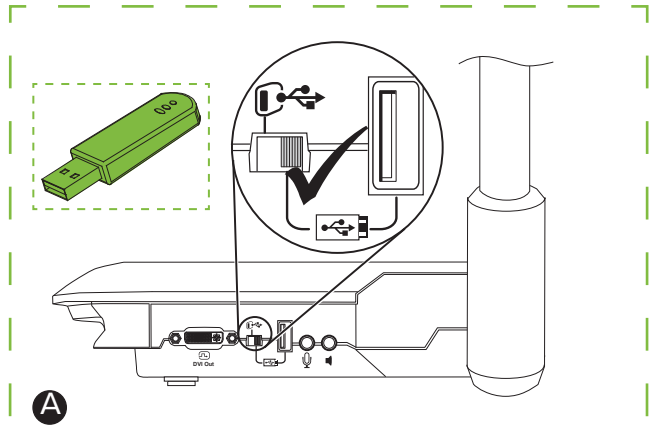
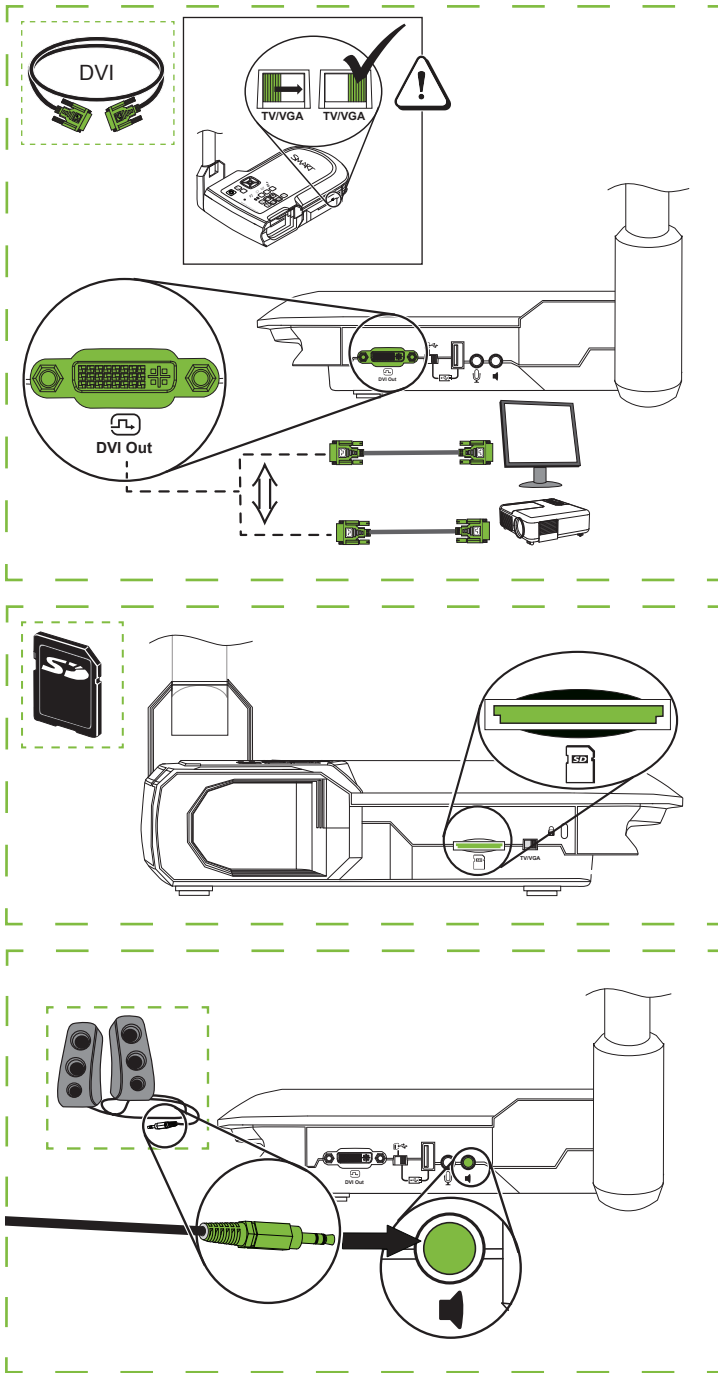
5



[smarttech.com/kb/170279](http://smarttech.com/kb/170279)








**Hardware environmental compliance**

SMART Technologies supports global efforts to ensure that electronic equipment is manufactured, sold and disposed of in a safe and environmentally friendly manner.

 **Waste Electrical and Electronic Equipment and Battery regulations (WEEE and battery directive)**  
 Electrical and electronic equipment and batteries contain substances that can be harmful to the environment and to human health. The crossed-out wheeled bin symbol indicates that products should be disposed of in the appropriate recycling stream and not as regular waste. See [smarttech.com/compliance](http://smarttech.com/compliance) for more information



[smarttech.com/support](http://smarttech.com/support)  
[smarttech.com/contactsupport](http://smarttech.com/contactsupport)

© 2016 SMART Technologies ULC. All rights reserved. SMART Document Camera, smarttech, the SMART logo and all SMART taglines are trademarks or registered trademarks of SMART Technologies ULC in the U.S. and/or other countries. All third-party product and company names may be trademarks of their respective owners. This product and/or use thereof covered by one or more of the following U.S. patents: [smarttech.com/patents](http://smarttech.com/patents). Other patents pending. 03/2016

**SMART**  
 1018850 Rev 03  
[smarttech.com/kb/170277](http://smarttech.com/kb/170277)